

GENIEMAT[®] FIT30

FITNESS INTERLOCKING TILE



PATENTS: Patent Pending

PRODUCT SPECIFICATION

PRODUCT NAME:	GenieMat FIT30
DESCRIPTION:	Resilient floor interlocking tile system made from up to 92% recycled rubber content and comprised of resilient floor covering and interdependent concentric ring impact pedestals on the underside, used when superior impact shock, vibration, and noise control is required in fitness, gym, sports, and training facilities, and high-traffic or acoustically-sensitive environments.
APPLICATION:	Used as a floor surface to cushion impacts from falling or dropping objects, ease fatigue, reduce joint and muscle stress, and prevent general discomfort and injuries associated with repetitive motion or standing for long periods of time.
FEATURES AND BENEFITS	<ul style="list-style-type: none">• Raised pedestal design for superior cushioning effect• Omni-directional interlocking design for secure hold and simple installation• High-compression wear layer for superior abrasion and slip resistance and color-retention• Maintenance-free surface leads to lower life expectancy costs• Accessories include profiled edging, inside and outside corner pieces, and ADA-compliant transitions• Will not harden or become brittle with age• Mold, bacteria, fungi, and water resistant• Qualifies for LEED[®] points
TEXTURE AND APPEARANCE:	Mostly smooth surface. Non-porous granulated rubber surface with colored speckles
COLOR:	Available in a variety of colors and custom color blends
DIMENSION:	Tile: 24" x 24" (610 mm x 610 mm) Tolerance: ± 1/8" (3 mm)
THICKNESS:	1 1/4" (nom. 30 mm) ± 5/64" (2 mm) tolerance
WEAR LAYER DENSITY:	Shall be > 1000 kg/m ³
TILE WEIGHT:	21 lb/tile (9.53 kg/tile)
TILE AREA:	4 ft ² (0.372 m ²)
TILES/PALLET:	60
LEAD TIME:	4-6 weeks after receipt of order

GENIEMAT[®] FIT30

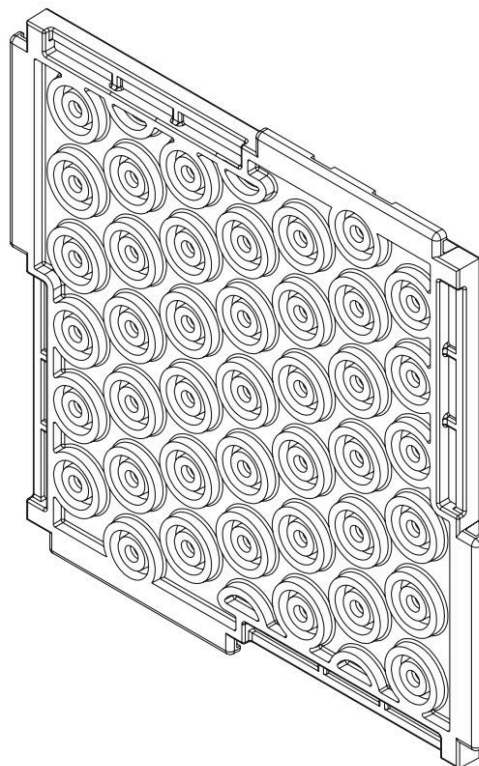
FITNESS INTERLOCKING TILE



PATENTS: Patent Pending

TECHNICAL DATA

DELTA IMPACT ISULATION CLASS (ASTM E2179):	Δ IIC: 31 dB
SOUND ABSORPTION (ASTM C423/E795):	SAA 0.14, NRC 0.15
RUBBER DETERIORATION/ AIR OVEN: (ASTM D573):	No deterioration
SLIP RESISTANCE (ASTM E303):	102 Dry, 72.25 Wet
COEFFICIENT OF FRICTION (ASTM D2047):	0.83 Dry, 0.88 Wet
TENSILE STRENGTH OF WEAR LAYER (ASTM D412):	>300 psi (2 MPa)
ELONGATION AT BREAK OF WEAR LAYER (ASTM D412):	>190%
TEAR STRENGTH (ASTM D624):	33.1 lb/in (5.80 kN/m)
ABRASION RESISTANCE (ASTM D3389):	77 cycles
COMPRESSION SET (ASTM D395):	4.37% Permanent Set
CRITICAL RADIANT FLUX (ASTM E648):	Class II
IGNITION CHARACTERISTICS (ASTM D2859):	Pass
FIRE TEST OF ROOF COVERING (ASTM E108):	Class A (Premium)





AROUND THE WORLD.

CONTACT US

PLITEQ NORTH AMERICA

131 Royal Group Crescent
Vaughan, ON
L4H 1X9 Canada

T. + 1 416 449 0049

info@pliteq.com
www.pliteq.com

PLITEQ UK

Irongate House
22-30 Dukes Place
London
EC3A 7LP

T. + 44 203 9846444

info@pliteq.co.uk
www.pliteq.co.uk

PLITEQ MIDDLE EAST

European Business Centre
Dubai Investment Park
PO Box 473 512
Dubai, UAE

T: +971 4 567 4944

info@pliteq.ae
www.pliteq.ae

PLITEQ ASIA PACIFIC

101 Cecil Street #19-13
Tong Eng Building Singapore
069533

T. +65 8452 6865

info@pliteq.sg
www.pliteq.sg



© Pliteq Inc.

®™ Trademarks of Pliteq Inc. The information provided is accurate to the best of our knowledge at the time of issue. However, we reserve the right to make changes when necessary without further notification. Suggested application may need to be modified to conform with local building codes and conditions. We cannot accept responsibility for products that are not used, or installed, to our specifications. All listed dimensions are nominal.