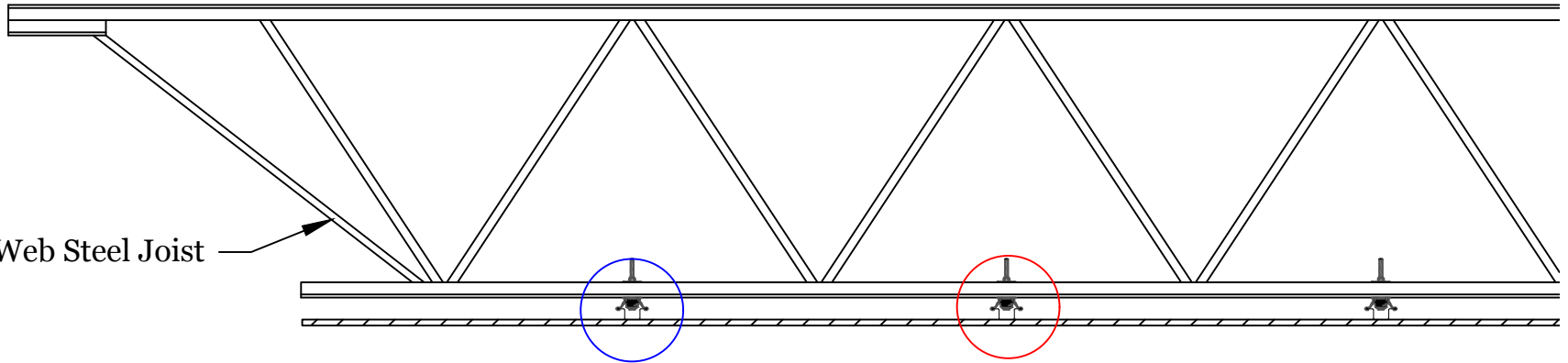
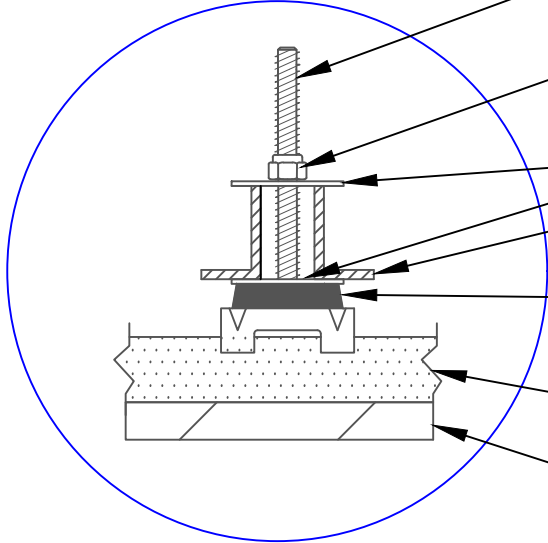


Open Web Steel Joist



Front View



1/4"-20 4" Threaded Bolt

1/4"-20 Nyloc
Anti-Vibration Nut

Washers

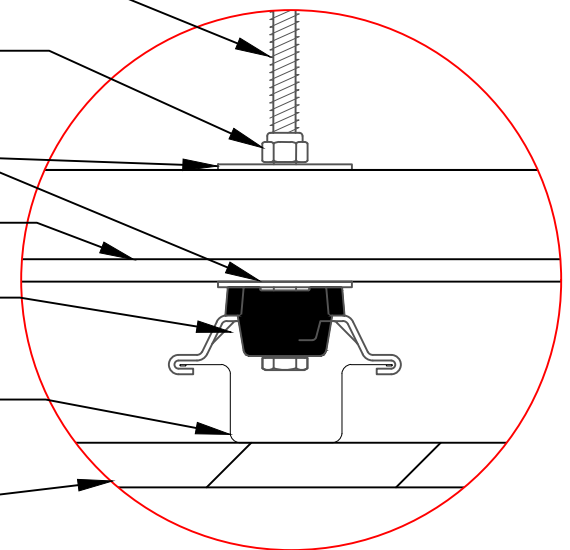
Open Web Steel Joist

GenieClip® RST

7/8" Furring Channel

5/8" drywall

Side View



Phone: (416) 449 - 0049
Fax: (416) 849 - 0415

131 Royal Group Crescent
Vaughan, ON L4H 1X9
Canada

GENERAL NOTES:

The information provided in this drawing is accurate to the best of our knowledge at the time of printing. However, we reserve the right to make changes when necessary without notification.
© Pliteq Inc. 2021

Notes

PROJECT: **GenieClip WBN Series**

DRAWING: GenieClip® WBN

DRAWN BY: KVR

DATE: 2021-03-11

SCALE: N/A

DWG. NO.:
WBN-01