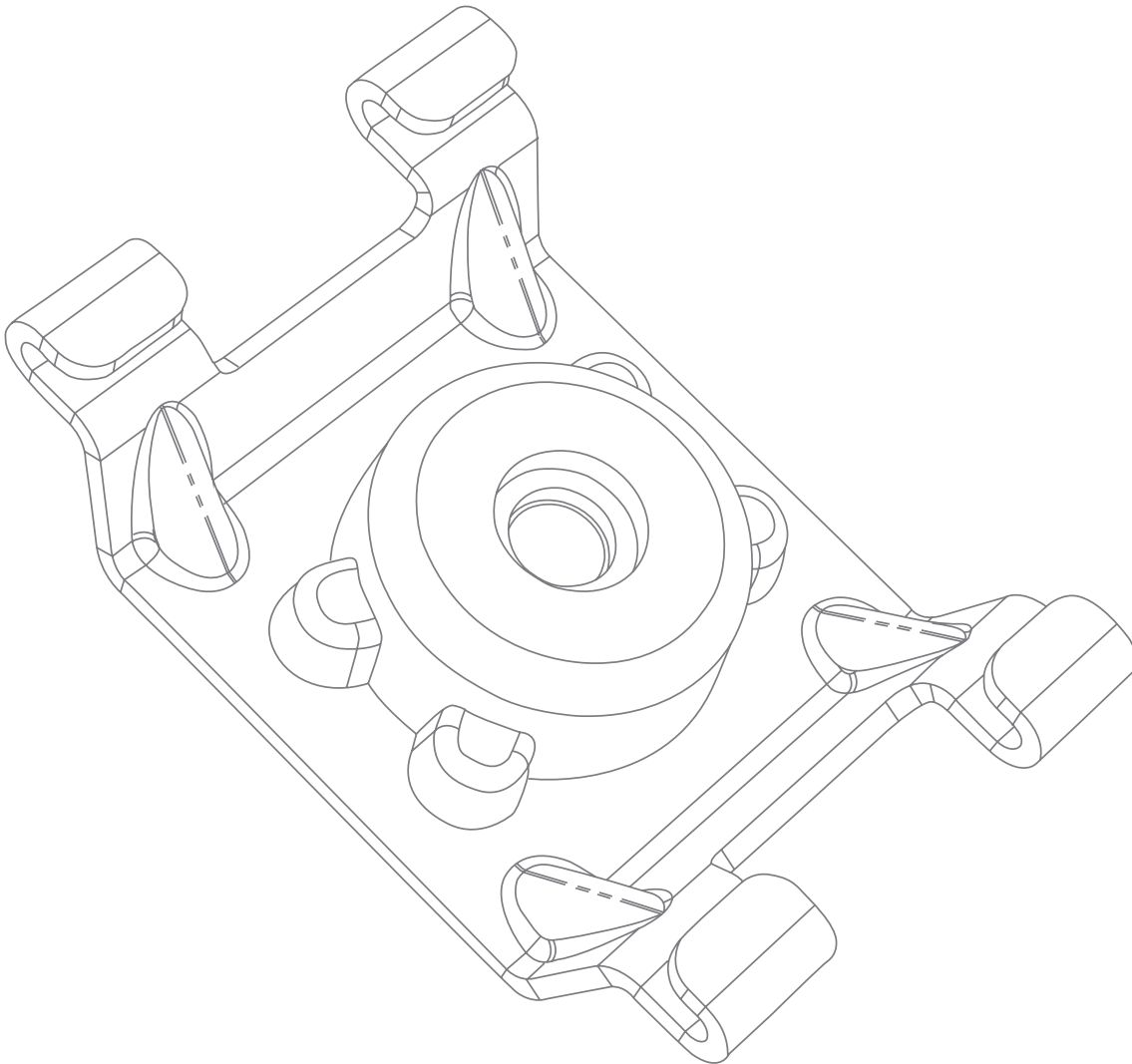




It's not magic, it's engineering.®

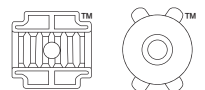
# GENIECLIP® RST

Resilient Sound Isolation Clip



## INSTALLATION INSTRUCTIONS

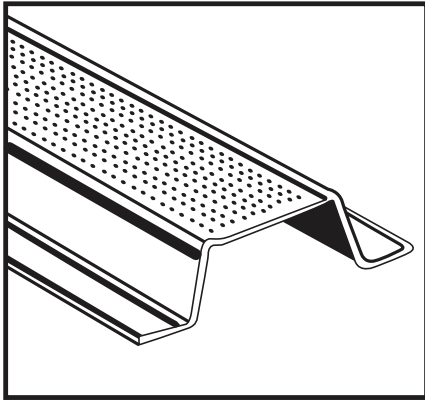
NOTE If at any time there is a question or concern as to the installation methods please contact **Pliteq Inc.** or your local representative.





### GenieClip® RST Specifications

Width	1 5/8" (40 mm)
Height	15/16" (24 mm)
Length	2 1/2" (63 mm)
Weight	1.25 oz. (40 grams)
Max Spacing on Furring Channel	48 in. on center
Max Acoustic Design Load	36 lbs (16 kilo)

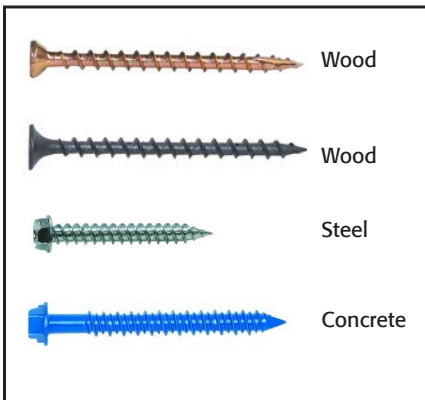


### Drywall Furring Channel Specifications (Hat Channel)

Gage minimum	25 ga. With hemmed edges
Width min at base	2.5" (63.5 mm)
Width max recommended at base	2.75" (70 mm)
Width at top	1.25" (32 mm)
Height standard	7.8" (22 mm)
Max Clip Spacing on Furring Channel	48 in. on center
Max Acoustic Design Load per Clip	36 lbs (16 kilo)

**NOTE** – Splice drywall furring channel with 6" (150 mm) overlaps in mid span between clips. Secure with 18 ga. Wire or (2) two 7/16" framing screws.

**IMPORTANT!!!** 25ga. Furring Channels MUST have hemmed edges



### Fasteners for Wood Steel or Concrete

Wood	Wood #8 x 2 1/2 Coarse Threads, or # 8 x 2 1/2", Coarse thread Drywall screws
Steel	#8, #10 or #12 – 1 5/8" Self Tapping, fine thread, Type S
Concrete	3/16" or 1/4" x 2 1/4" long Anchors Screws

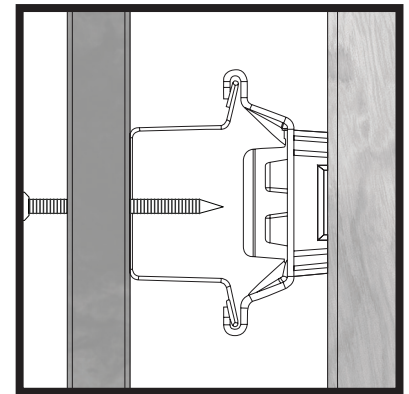
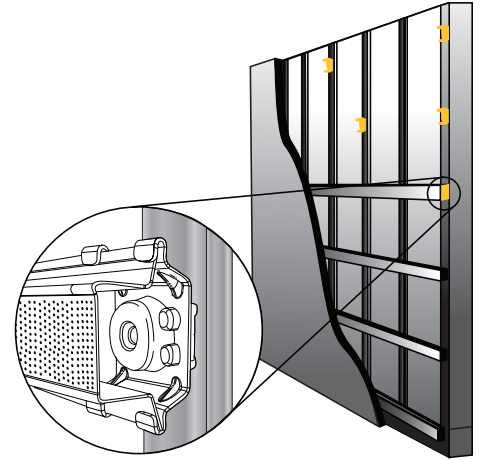
#### NOTES

- Use fasteners that will have a minimum of 120 lbs pull out or shear strength in the wood, steel or concrete substrate.
- Tighten fasteners until they come into solid contact with the top washer on the **GenieClip RST**. For best acoustic results **DO NOT OVER TIGHTEN**

# WALL INSTALLATION GUIDE

## NOTES One and Two Layers of 5/8" Drywall

- **GenieClip® RST** shall not exceed 48" on center. (horizontal)
- Spacing between the furring channels (hat channel) shall not exceed 24". Furring channels are installed perpendicular to the studs.
- Fasten all **GenieClip RST** to the substrate with a fastener approved for a minimum pull out and shear of 120 lbs.
- Tighten fasteners until they come into solid contact with the top washer on the **GenieClip RST**. For best acoustic results **DO NOT OVER TIGHTEN**
- Locate the bottom row of furring channel within 3 to 6" of the floor and install in a pattern roughly as per drawing below.
- Locate the top row of furring channel within 6" of the ceiling.
- Install all other rows of furring channel ensuring maximum spacing between rows does not exceed 24"
- Add additional short rows of furring channel and clips to pick up drywall edges around doors and windows as needed.
- Snap furring channel into the **GenieClip RST** and make joins between clips with a 6" overlap. Secure with 18 ga. wire or 2 7/16" framing screws.
- **IMPORTANT** Before and drywall is applied place 1/4" to 3/8" shims on floor to fully support gypsum board.
- Install gypsum board (drywall) from the bottom up leaving 1/4" spacing (min) around total perimeter.
- **ONLY** remove the shims after **ALL** gypsum board is installed and screwed to **ALL** furring channels. Ensure that every screw is installed according to assembly design in each layer of gypsum board. Shims are critical for best acoustic results.
- For best acoustic results, if there is more than one layer of gypsum board, seams should be staggered.
- Caulk around the entire perimeter of the gypsum board filling the whole space with non hardening acoustic caulk. Use fire and smoke rated caulking sealant where required. Do not install caulking so that it is 'proud' of the gypsum board surface.
- After caulking has set,...tape and finish as usual.



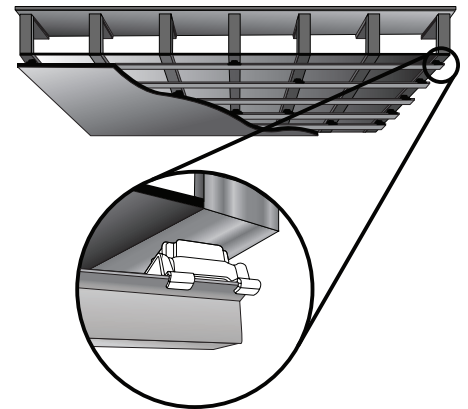
**NOTE** It is impossible to "short circuit" the **GenieClip RST** System when the correct screws are used. Should the installer hit a clip location, they will not be able to 'seat' the screw. They will be forced to move left or right on the track away from the **GenieClip RST**.

# CEILING INSTALLATION GUIDE

## NOTES One and Two Layers of 5/8" Drywall

---

- **GenieClip® RST** shall not exceed 48" on center. (horizontal)
- Spacing between the furring channels (hat channel) shall not exceed 24". Furring channels are installed perpendicular to the joists.
- Fasten the **GenieClip RST** to the substrate with a fastener approved for a minimum pull out and shear of 120 lbs.
- Tighten fasteners until they come into solid contact with the top washer on the **GenieClip RST**.
- For best acoustic results DO NOT OVER TIGHTEN
- Locate the first row of furring channel within 3 to 6" of the wall edge and install in a pattern roughly as per drawing below.
- Locate the last of furring channel within 3" to 6" of the opposite wall.
- Install all other rows of furring channel ensuring maximum spacing between rows does not exceed 24".
- **IMPORTANT NOTE** If the cavity is to have acoustic batt fill some codes require that steel members not exceed 16" on centers. Check with local building and fire codes.
- Furring channel shall not be cantilevered more than 6" beyond the last sound control clip.
- Snap furring channel into the **GenieClip RST** and make joins between clips with a 6" overlap. Secure with 18 ga. wire or 2 7/16" framing screws.
- For best acoustic results if there is more than one layer of gypsum board, seams should be staggered.
- Caulk around the entire perimeter of the gypsum board filling the whole space with non hardening acoustic caulk. Use fire and smoke rated caulking sealant where required. Do not install caulking so that it is 'proud' of the gypsum board surface.
- After caulking has set,...tape and finish as usual.



## General Information

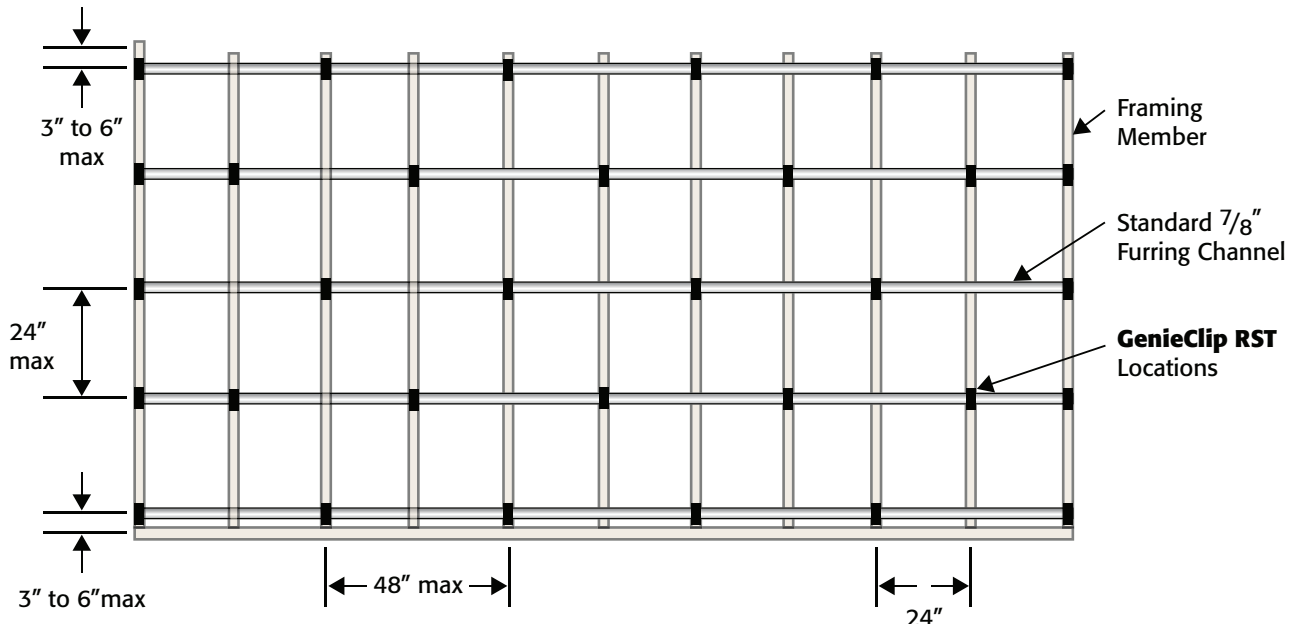
---

- **GenieClip RST** and gypsum board shall not carry heavy point loads such as cabinets or book shelves.
- 25 ga. Furring channel must have hemmed edge. Splice furring channel in mid span between clips with 6" overlap, securing with 18 ga. wire or 2 7/16" framing screws.
- For best acoustic results seal all potential air leaks with non hardening acoustic caulking. Use fire rated caulk where required. Resilient putty pads should be used to seal back of outlet boxes along with acoustic caulk.
- Steel studs shall be a minimum of 20 ga.

# WALL AND CEILING INSTALLATION GUIDE FOR WOOD OR STEEL FRAMING WITH FURRING ON 24" CENTERS

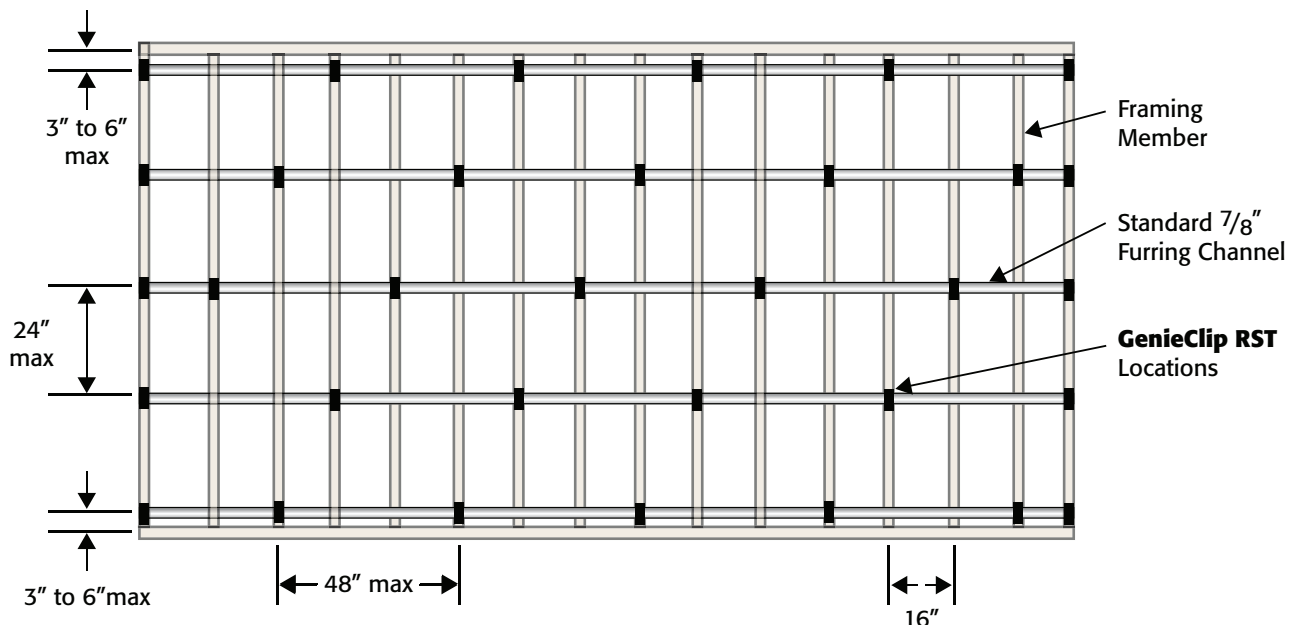
Wall or Ceiling Framing at 24" o.c.

**GenieClip® RST** at 48" o.c., furring at 24" o.c. 1 or 2 Layers of 5/8" Gypsum Board



Wall or Ceiling Framing at 16" o.c.

**GenieClip RST** at 48" o.c., furring at 24" o.c. 1 or 2 Layers of 5/8" Gypsum Board



## ESTIMATED **GENIECLIP® RST** USAGE CHART FOR WALLS AND CEILINGS

STEEL OR WOOD FRAMING (**GENIECLIP RST** IS SPACED 48" o.c. FURRING 24"o.c.) FOR ONE  
OR TWO LAYERS OF 5/8" GYPSUM BOARD

	1~4'	5~8	9~12	13~16	17~20	21~24	25~28	29~32	33~36	37~40
1~3'	4pcs	6	8	10	12	14	16	18	20	22
3~5	6	9	12	15	18	21	24	27	30	33
5~7	8	12	16	20	24	28	32	36	40	44
7~9	10	15	20	25	30	35	40	45	50	55
9~11	12	18	24	30	36	42	48	54	60	66
11~13	14	21	28	35	42	49	56	63	70	77
13~15	16	24	32	40	48	56	64	72	80	88
15~17	18	27	36	45	54	63	72	81	90	99
17~19	20	30	40	50	60	70	80	90	100	110
19~21	22	33	44	55	66	77	88	99	110	121
21~23	24	36	48	60	72	84	96	108	120	132
23~25	26	39	52	65	78	91	104	117	130	143
25~27	28	42	56	70	84	98	112	126	140	154
27~29	30	45	60	75	90	105	120	135	150	165
29~31	32	48	64	80	96	112	128	144	160	176
31~33	34	51	68	85	102	119	136	153	170	187
33~35	36	54	72	90	108	126	144	162	180	198
35~37	38	57	76	95	114	133	152	171	190	209
37~39	40	60	80	100	120	140	160	180	200	220
39~41	42	96	84	105	126	147	168	189	210	231

### PLEASE NOTE

- For fire rated assemblies please add 4 **GenieClip RST** and furring channel for each gypsum board butt joint. Check local compliances against fire resistive design specifications.
- It is always best to have a few extra **GenieClip RST** on hand for non standard room configurations and to fit around windows, doors, bulkheads etc.

## CONTACT US

For Your Project Specific Questions  
**T.** 416.449.0049 | **E.** info@pliteq.com

© Pliteq Inc. 2018.

®™ Trademarks of Pliteq Inc. The information provided is accurate to the best of our knowledge at the time of issue. However, we reserve the right to make changes when necessary without further notification. Suggested application may need to be modified to conform with local building codes and conditions. We cannot accept responsibility for products that are not used, or installed, to our specifications. All listed dimensions are nominal.



[www.pliteq.com](http://www.pliteq.com)