



Suitable concrete fastener by others  
1/4" clearance hole

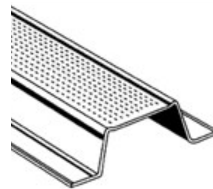
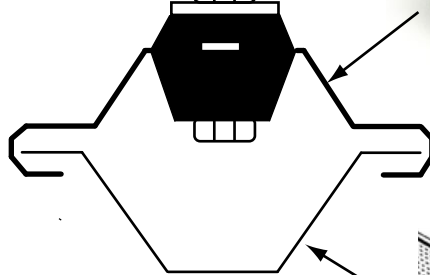
Complete with bracket and threaded assembly for levelling

Threaded assembly 2" or 3"

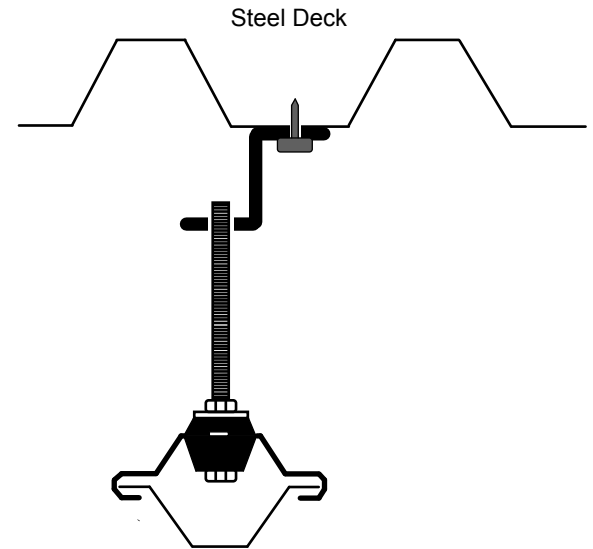
Nylock type antivibration nut



Genie Clip Type CSOC-1



Standard 7/8" Drywall Furring Channel - by others



Steel Deck

Date: April 30, 2010.

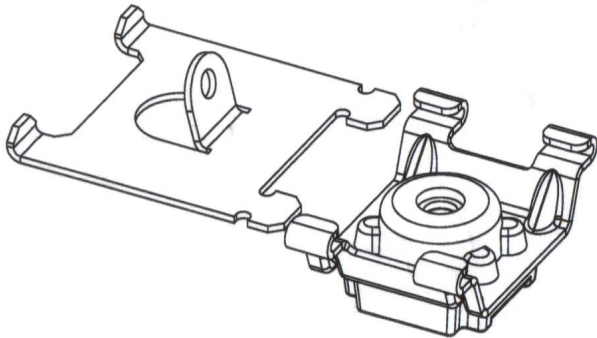
By: WB

**Genie Clip Type CSOC-1**  
Ceiling System on Concrete or Steel Deck  
Complete with "Z" Bracket and threaded  
assembly for leveling

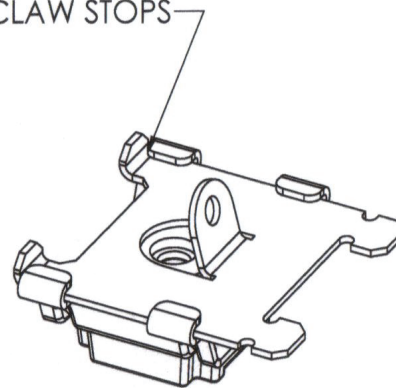


Tel 416-449-0049 Fax 416-849-0415  
1370 Don Mill Rd. Unit 300, Toronto ON M3B 3N7

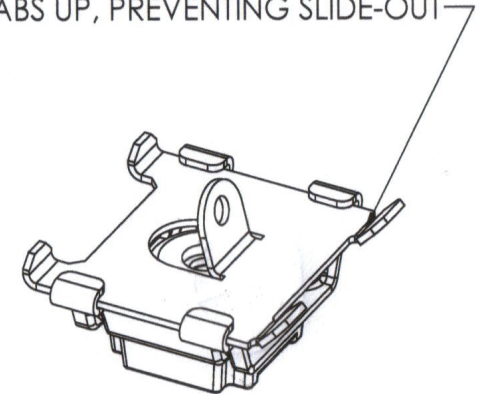
**STEP 1:**  
SLIDE IN BRACKET FROM SIDE  
OF GENIE CLIP



**STEP 2:**  
POSITION BRACKET AGAINST  
CLAW STOPS



**STEP 3:**  
USE PLIERS TO BEND LOCKING  
TABS UP, PREVENTING SLIDE-OUT



Date: April 4, 2010.

By: WB

Genie Clip Type CSOC-2  
Ceiling System on Concrete or Steel Deck  
Wire Suspended Ceiling Isolation System



Tel. 416-449-0049 Fax 416-849-0416  
1370 Don Mills Rd. Unit 306, Toronto, ON M3B 3N7