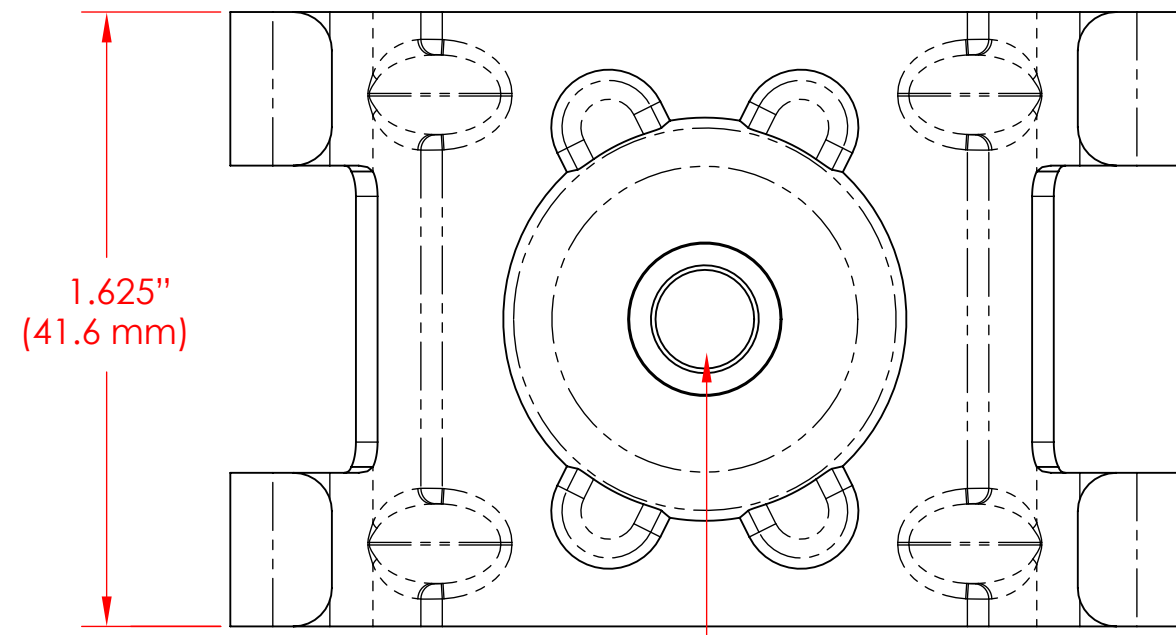
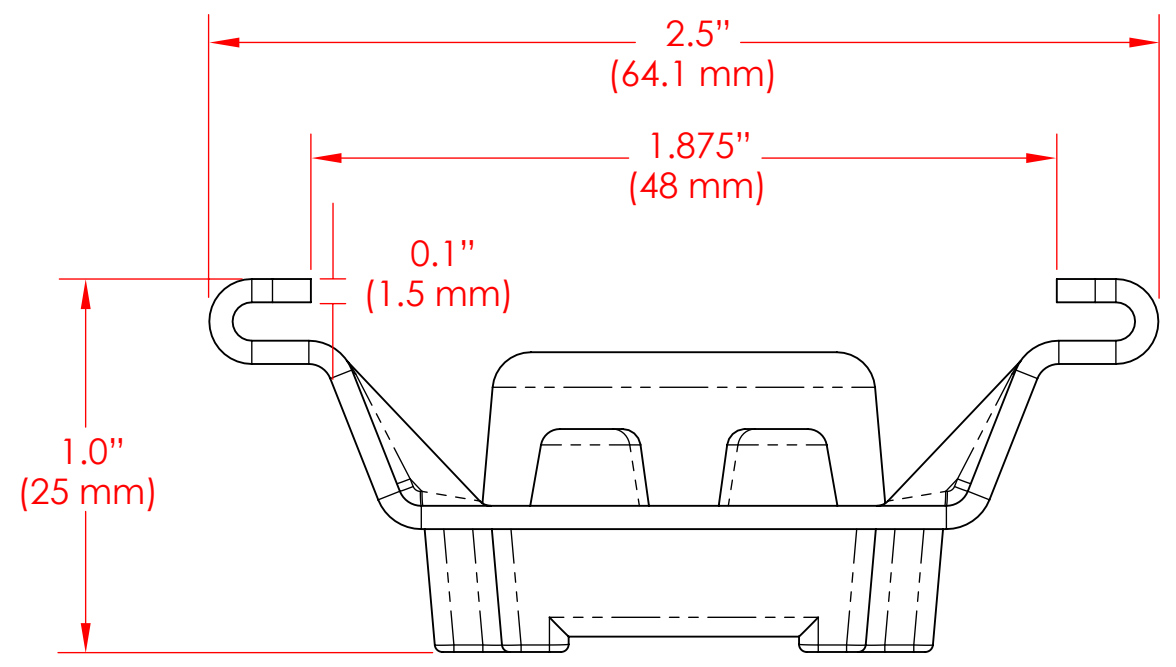


8 7 6 5 4 3 2 1

D
c
B
A




CLEARANCE FOR #8 SCREW



FT. / INCH
METRIC ()

PROPRIETARY AND CONFIDENTIAL
THE INFORMATION CONTAINED IN THIS DRAWING IS THE SOLE PROPERTY OF PLITEQ, INC. ANY REPRODUCTION IN PART OR AS A WHOLE WITHOUT THE WRITTEN PERMISSION OF PLITEQ, INC. IS PROHIBITED.

		UNLESS OTHERWISE SPECIFIED:		NAME	DATE
		DIMENSIONS ARE IN MM TOLERANCES: FRACTIONAL: $\pm 1/32$ ANGULAR: MACH \pm BEND \pm ONE PLACE DECIMAL: $\pm .1$		DRAWN	D. HORVATH 1/10/2007
		INTERPRET GEOMETRIC TOLERANCING PER:		CHECKED	
		MATERIAL (AS NOTED)		ENG APPR.	
NEXT ASSY	USED ON	FINISH (AS NOTED)		MFG APPR.	
APPLICATION		DO NOT SCALE DRAWING		Q.A.	
				COMMENTS:	
				 1370 Don Mills Road, Unit 300, Toronto, ON, M3B 3N7 Canada	
				GENIE CLIP Q.A. DIMENSIONS	
SIZE	DWG. FILE NAME			REV	
B	HANGER DAMPER REV5			0	
SCALE: FIT	WEIGHT:			SHEET 1 OF 1	

8 7 6 5 4 3 2 1