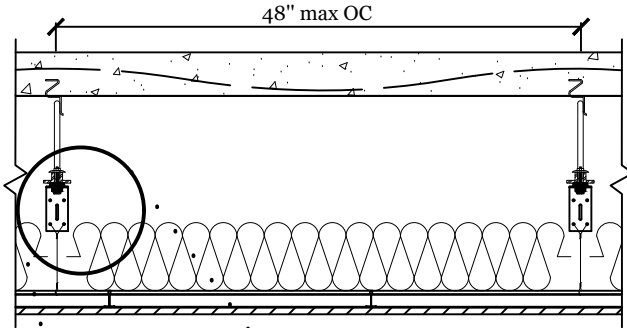
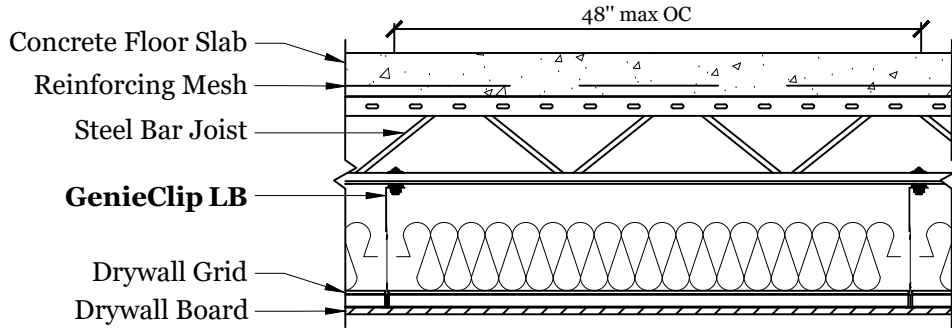


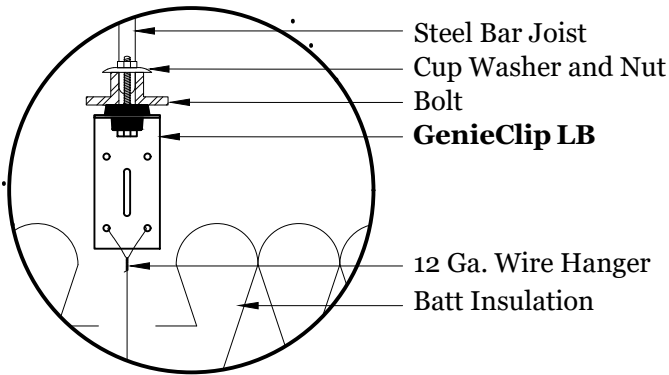
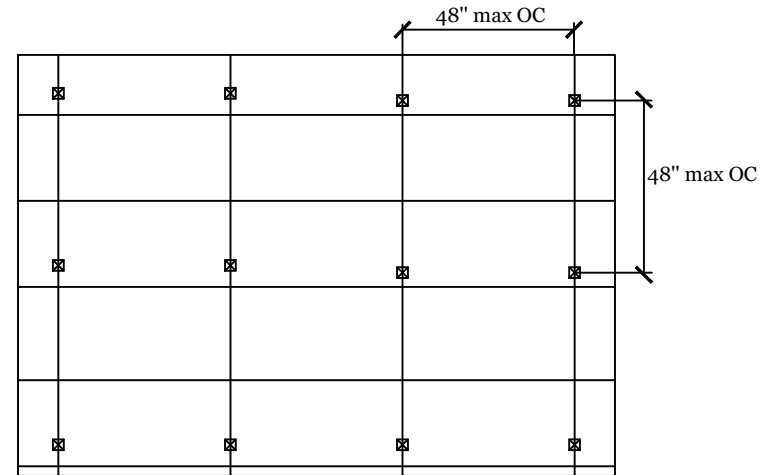
PROFILE VIEW



FRONT VIEW



PLAN VIEW



Main Tee: North - South
Cross Tee: East - West



Phone: (416) 449 - 0049
Fax: (416) 849 - 0415

131 Royal Group Crescent
Vaughan, ON L4H 1X9
Canada

GENERAL NOTES:

The information provided in this drawing is accurate to the best of our knowledge at the time of printing. However, we reserve the right to make changes when necessary without notification.
© Pliteq Inc. 2017.

Notes

PROJECT: **GenieClip® LB** Ceiling Suspension Series

DRAWING: Composite Steel Bar Joist Floor to Drywall Grid Ceiling

DRAWN BY: G. Hart

DATE: 2017-01-10

DWG. NO.: LB14

SCALE: N/A