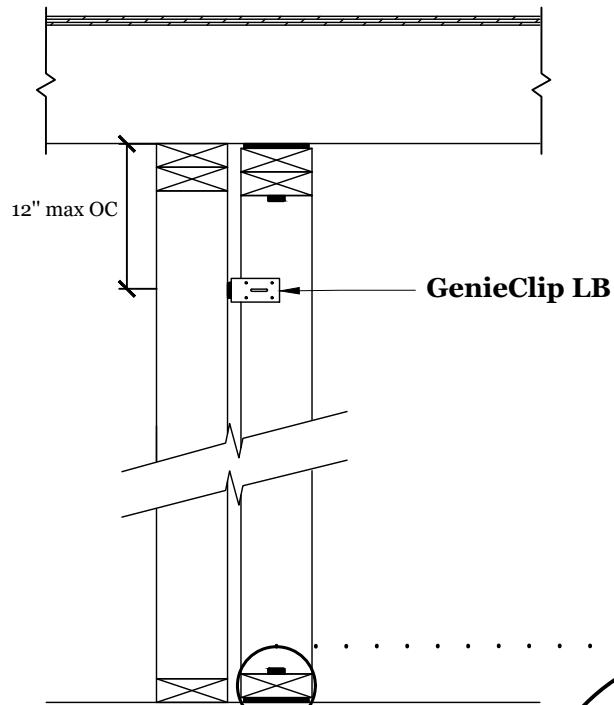
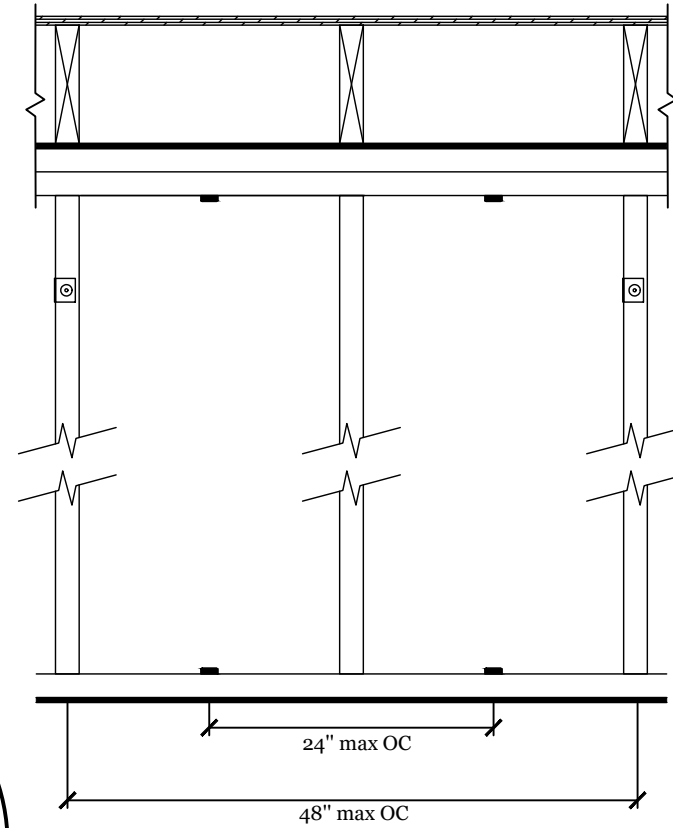


PROFILE VIEW

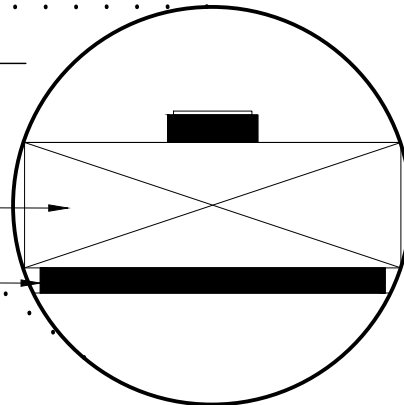


FRONT VIEW



GenieMat FIS Washer

GenieMat FIS Acoustic Pad



Phone: (416) 449 - 0049
Fax: (416) 849 - 0415

131 Royal Group Crescent
Vaughan, ON L4H 1X9
Canada

GENERAL NOTES:

The information provided in this drawing is accurate to the best of our knowledge at the time of printing. However, we reserve the right to make changes when necessary without notification.

© **Pliteq Inc. 2017.**

Notes

PROJECT: GenieClip® LB Wall Series

DRAWING: GenieMat® FIS Isolated Partition

DRAWN BY: J. Joo

DATE: 2017-01-10

DWG. NO.: LB04

SCALE: N/A